

MANHASSET®

Instructions for assembly:
Harmony Music Stands

The standard of excellence around the world since 1935.

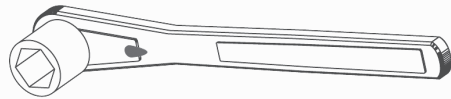
CAUTION: DO NOT apply any lubricant to the height adjustment shaft of these music stands, as that may cause the friction-grip clutch to lose some of its hold power.

TOOLS REQUIRED:

Screwdriver



**Ratchet with
11/16 or 17MM
Socket**



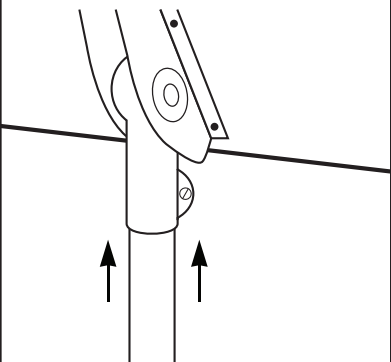
1 Remove bolt and base cup washer from base of center column.



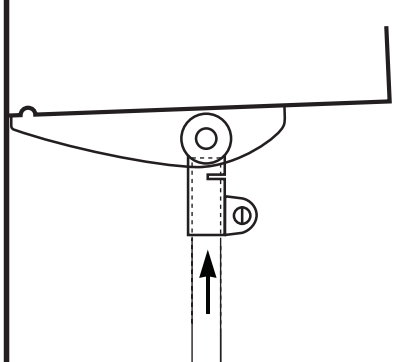
2 Place A-frame base over lower end of center column, replace retaining base assembly and tighten very securely.



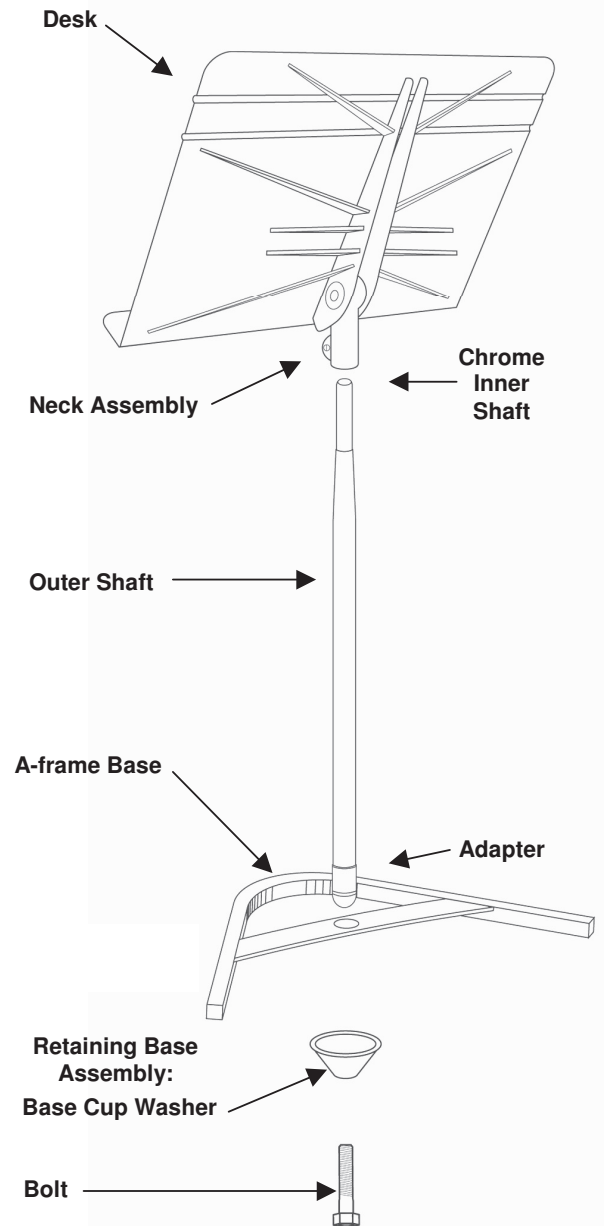
3 Extend the chrome inner shaft approximately 7 inches and place into neck assembly on backside of desk with a rotating motion.



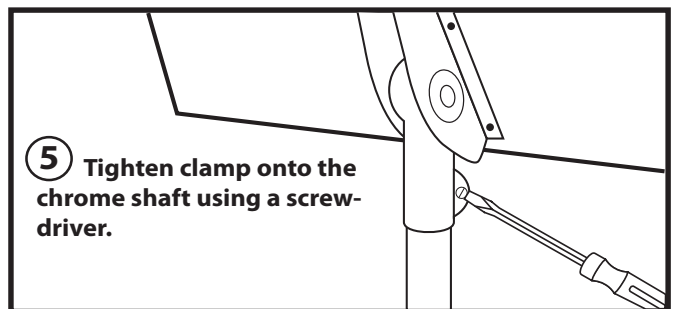
4 Ensure shaft is fully inserted into neck assembly. (to the depth of dashed line indicated on illustration)



Music Stand Parts (Showing Back of Desk)



5 Tighten clamp onto the chrome shaft using a screwdriver.



Attention Receiver

Manhasset is not responsible for damage that occurs after leaving our facility and/or occurs during transit.

All packaging is done according to the standards of the carriers who transport the cartons.

Please follow the instructions below – They are for your protection.

1. Should cartons(s) damage be visible, it should be noted on the drivers delivery receipt “damaged, subject to count and inspection.” This should be signed by the delivering driver.
2. Regardless of the appearance of the carton, any damage to stands or accessories has occurred in transit and reimbursement is the responsibility of the carrier. All packages are insured with the carrier for loss or damage.
3. When checking your order, if any damage, concealed or apparent, is discovered, notify the transportation company immediately and request an inspection. Save the carton(s) and packing materials until the inspection has been made.
4. Notify the company you purchased your merchandise from, they will be able to assist you. It may be beneficial to have the following information and/or paperwork available; date received, carrier’s pro number or UPS label from carton, invoice or PO number.

Note: The Manhasset Specialty Company warranties all of its Music Stands and Stand Carts unconditionally against defects in materials and workmanship for a period of ten-years from the original date of purchase; and warranties all of its accessory products unconditionally against defects in materials and workmanship for a period of five-years from the original date of purchase.

Carefully examine cartons for small items (nuts, bolts, etc.) prior to discarding cartons.

MANHASSET®

Address:
P.O. Box 2518
Yakima, Washington 98907

Phone: (509) 248-3810
Fax: (509) 248-3834
www.manhasset-specialty.com